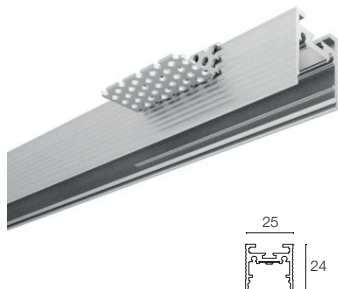


KRIPTOS_20 E



Profilo incasso in estrusione di alluminio verniciato, per Strip LED 10 mm.

Recessed profile of extruded painted aluminum, for Strip LED 10 mm wide.

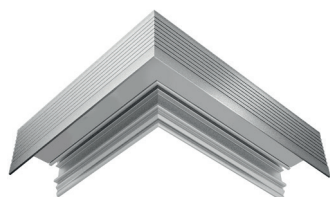
20230.100 .06	L 1000
20230.200 .06	L 2000
20230.300 .06	L 3000



Schermo diffusore in PMMA satinato opale.

PMMA satin opal diffuser.

76454.100	L 1000
76454.200	L 2000
76454.300	L 3000



Profilo curva 90° in estrusione di alluminio verniciato, per Strip LED 10 mm.

Profile 90° angle of extruded painted aluminum, for Strip LED 10 mm wide.

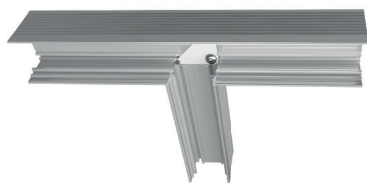
20233.000 .06	L 890x990
----------------------	-----------



Schermo diffusore in PMMA satinato opale per profilo curva 90°.

PMMA satin opal diffuser for 90° angle profile.

20235.001	L 880x98,5
------------------	------------



Profilo a "T" in estrusione di alluminio verniciato, per Strip LED 10 mm.

"T" profile of extruded painted aluminum, for Strip LED 10 mm wide.

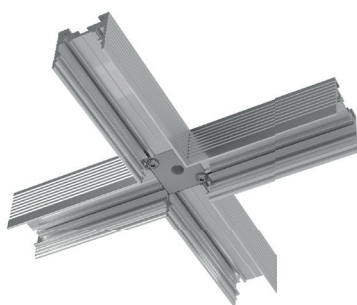
20246.000 .06	L 167x101
----------------------	-----------



Schermo diffusore in PMMA satinato opale per profilo "T".

PMMA satin opal diffuser for "T" angle profile.

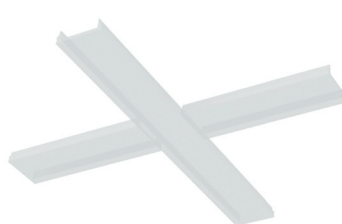
20249.001	L 167x101
------------------	-----------



Profilo a "X" in estrusione di alluminio verniciato, per Strip LED 10 mm.

"X" profile of extruded painted aluminum, for Strip LED 10 mm wide.

20240.000 .06	L 169x169
----------------------	-----------



Schermo diffusore in PMMA satinato opale per profilo "X".

PMMA satin opal diffuser for "X" angle profile.

20245.001	L 169x169
------------------	-----------

FINISH

.06 Anodizzato grigio / Anodized gray

ACCESSORIES



76450.001 .06	Terminale di chiusura per Kriptos_20. End cap for Kriptos_20.
----------------------	--

76450.004	Giunto lineare a scomparsa per Kriptos_20. Inner linear joint for Kriptos_20.
------------------	--